

SFP Transceivers 4.25 Gbps

Description:

The 4.50 Gbps series are hot pluggable Small-Form-Factor (SFP) duplex, bidirectional and CWDM transceiver modules expressly designed for high speed communication applications that requiring rates of up to 4.50 Gbps. The transceivers are manufactured with LC receptacle that is compatible with the industry LC connector standard. All SFP transceivers have the digital diagnostic monitor feature.



Specifications:

Temperature:

OPTOKON is always trying to satisfy as much market demand as possible and with this in mind, almost all OPTOKON SFP transceivers are manufactured in the commercial (D), extended (E) and industrial (I) temperature ranges to provide you all possibilities you need for your application.

Code	Temperature
D	0 °C to + 70 °C
E	-10°C to + 80 °C
I	-40°C to + 85 °C

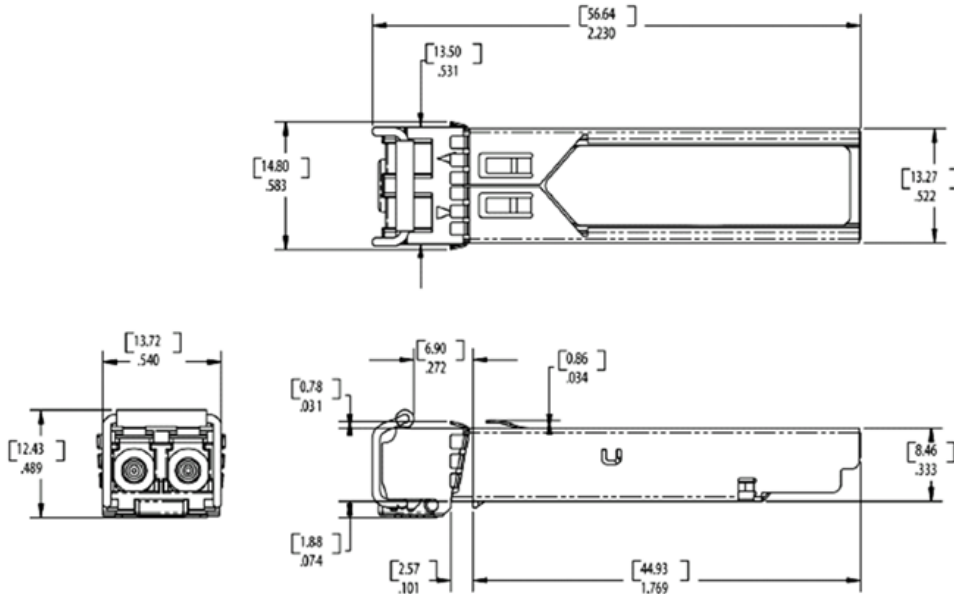
Safety and regulatory compliance

Electrostatic discharge (ESD)	IEC/EN 61000-4-2
Electromagnetic Interference (EMI)	FCC Part 15 Class B EN 55022, Class B (CISPR 22A)
Laser Eye Safety	Class 1 laser product
Component Recognition	IEC/EN 60950, UL
ROHS	2002/95/EC
EMC	EN 61000-3

Digital diagnostics:

All OPTOKON SFP transceiver are assembled with digital diagnostic feature as a standard.

Transceiver dimensions schema



Ordering code Ordering codes for 4.25 Gbps SFP transceivers:

Standard series:

Part number:	Speed [Mbps]	Distance [km]	Wavelength [nm]	Temperature	Fiber type	Connector
M425-V85-LP-dd-D-XX	4.25	SX	850	C, E, I	MMF	LC
S425-D31-LP-dd-D-XX	4.25	LX, HX	1310	C, E, I	SMF	LC
S425-D55-LP-dd-D-XX	4.25	HX	1550	C, E, I	SMF	LC

Bidirectional series:

Part number:	Speed [Mbps]	Distance [km]	TX wavelength [nm]	Rx wavelength [nm]	Temp [-]	Fiber [-]	Connector [-]
S425-W31/55-LP-LX-D-XX	4.25	5, 10, 30	1310	1550	D, E, I	SMF	LC
S425-W31/55-LP-LX-D-XX	4.25	5, 10, 30	1550	1310	D, E, I	SMF	LC

CWDM series:

Part number:	Speed [Gbps]	Distance dd [-]	Wavelength [-]	Temperature [-]	Fiber type [-]	Connector [-]
S450-Cyy-LP-dd-D-XX	4.25	LX, HX	CWDM	D, E, I	SMF	LC

CWDM laser code:

yy [-]	Wavelength [nm]	Clasp Color [-]	yy [-]	Wavelength [nm]	Clasp Color [-]
27	1270	Gray	45	1450	Brown
29	1290	Gray	47	1470	Gray
31	1310	Gray	49	1490	Purple
33	1330	Purple	51	1510	Blue
35	1350	Blue	53	1530	Green
37	1370	Green	55	1550	Yellow
39	1390	Yellow	57	1570	Orange
41	1410	Orange	59	1590	Red
43	1430	Red	61	1610	Brown

Distance & temperature codes

dd code [-]	Distance [km]
SX	0.550
05	5
10	10
LX	20
30	30
HX	40
ZX	80
UX	120

Code [-]	Temperature [°C]
D	0 to + 70
E	-10 to + 80
I	-40 to + 85

Temperature code examples:

To order SFP with extended or industrial temperature, please add temperature mark at the end of ordering number.

Code	Description
S425-D31-LP-LX-E-XX	Standard series, 1310nm, 20km, -10°C to +80°C operational temperature
S425-D31-LP-LX-I-XX	Standard series, 1310nm, 20km, -40 °C to +85°C operational temperature