

## CFP4 Transceivers – 100 Gbps

### Description:

OPTOKON CFP4 transceivers is designed for high speed communication applications that requiring rates of from 103.125 to 111.81 Gbps. The transceiver converts 4 inputs channel of 25,78 Gb/s to 27.95 electrical data to 4 CWDM optical signals, and multiplexes them into a single channel through an industry standard LC connector. CFP4 transceiver has the Digital Diagnostic Monitor Feature.



### Features:

- Compliant with 100GBASE-LR4
- Support line rates from 103.125 Gbps to 111.81 Gbps
- Integrated LAN WDM TOSA / ROSA for up to 10 km reach over SMF
- Digital Diagnostics Monitoring Interface (DDM/DOM)
- Duplex LC optical receptacle
- Single 3.3 V power supply
- Power dissipation < 6W
- CWDM-1296 nm, 1300nm, 1305nm and 1309 nm

### Applications:

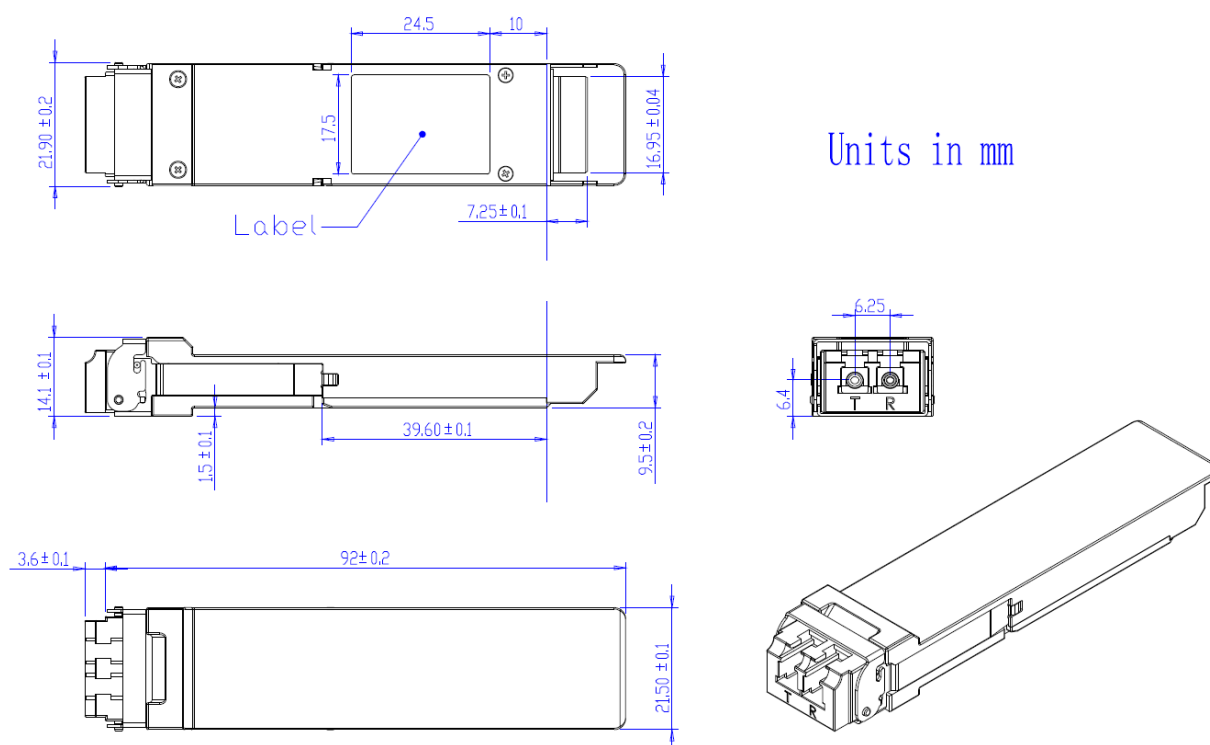
- Local Area Network (LAN)
- Data Center
- Ethernet switches and router applications

### Safety and regulatory compliance and standards

- Compliant to IEEE 802.3ba
- Compliant to CFP MSA CFP4 Hardware Specification
- Compliant to CFP MSA CFP4 Management Interface Specification
- IEEE 802.3-2012 Clause 45 and 88 100GBASE-LR4
- ITU-T G.959.1-2012-02
- OIF2010.404.08 CEI-28G-VSR electrical specifications



## Dimension:



## Optical characteristics:

### Transmitter:

Parameter:	Min	Typ.	Max	Unit
Signaling rate, each lane		25.78125		Gbps
Lane wavelength (range)	1294.53	1295.56	1296.59	nm
	1299.02	1300.05	1301.09	nm
	1303.54	1304.58	1305.63	nm
Total launch power			10.5	dBm
Average launch power, each lane	-4.3		4.5	dBm
Average launch power of OFF transmitter, each lane			-30	dBm

### Receiver:

Parameter:	Min	Typ.	Max	Unit
Average receive power, each lane	-10.6		4,5	dBm
Receive power, each lane (OMA)			4,5	dBm
Receiver Sensitivity (OMA), each lane			-8.6	dBm

## Ordering code:

Code	Description
S100G-CFP4-LR4-10-D	100 Gbps, CFP 4 housing up to 10 km 4x 25 gbps, LC connector.