

QSFP28 Transceivers – 100Gbps SR4

Description:

OPTOKON QSFP28 transceivers is designed for high speed communication applications that requiring rates of from 103.125 to 111.81 Gbps. The optical transmitter portion of the transceiver incorporates a 4-channel VCSEL 850 nm over multimode fiber.



Features:

- Compliant with QSFP28 MSA
- Up to 27,952 Gbps data rate per channel
- Electrically hot-pluggable
- Power dissipation < 2.0W
- Digital diagnostic SFF-8636 compliant
- High Reliability 850nm VCSEL technology
- Maximum link of 150m on OM4

Applications:

- Data Center and 100G Ethernet & 100GBASE-SR4
- ITU-T OTU4

Safety and regulatory compliance and standards

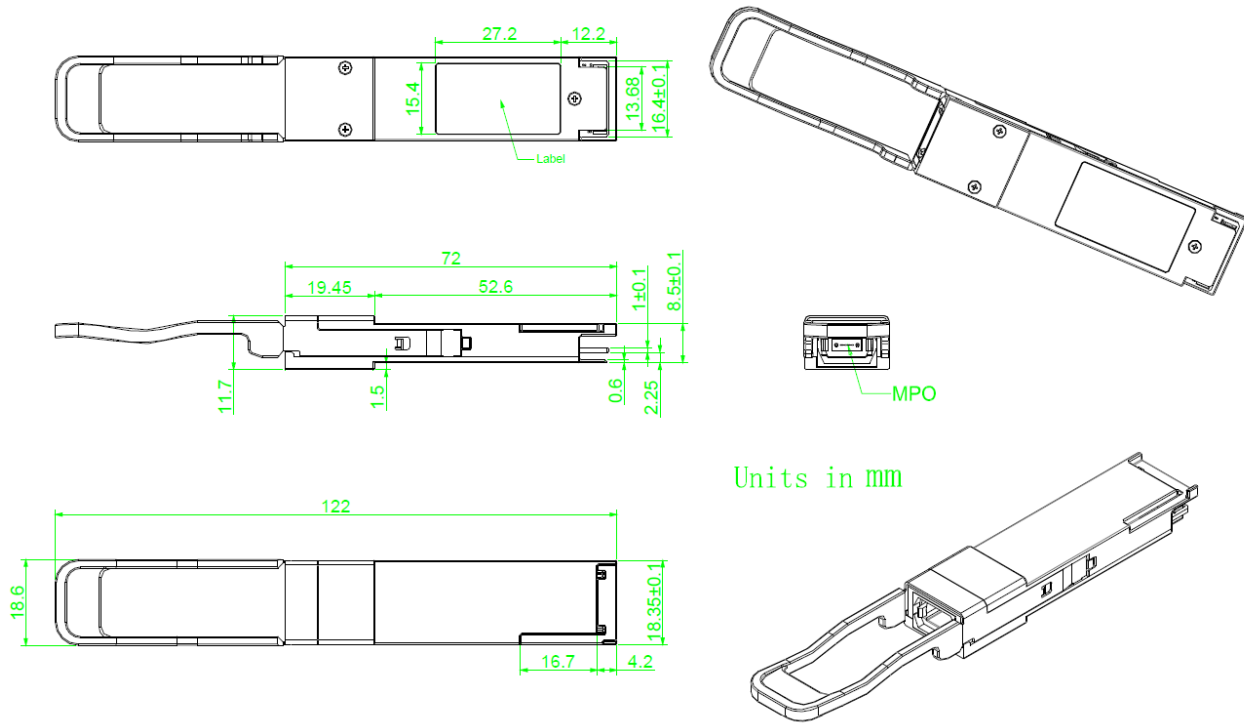
- Compliant to IEEE 802.3ba
- Compliant to QSFP28 MSA Hardware Specification
- Compliant to QSFP28 MSA Management Interface Specification
- Compliant to SFF-8636
- RoHS Compliant



Optical characteristics:

Parameter:	Min	Typ.	Max	Unit
Average output power per line (min / max)	-8.4		2.4	dBm
Optical Wavelength (min – center -max)	840	850	860	Nm
Output Eye Mask	Compliant with IEEE 802.3bm			
Optical Extinction ratio	2			ER
Receiver sensitivity per lane			-10.3	RSENS
Overload	2.4			Psat
Maximum distance	0.150			
Fiber type		MMF		
Optical link budget		1.9		

Dimension:



Ordering code

Code	Description
M100G-QP28-SR4-02-D-XX	100 Gbps, QSFP28 housing up to 150 m MM giber 4x 25 gbps, MPO connector.