

NEW



GSW-4424MP

24 x GbE/RJ45 + 4 x 1G/10G SFP+ with 24 x PoE+ (450W)
L2+ Managed Ethernet Switch

The high-density version of managed power over Ethernet switch in best cost performance ratio, GSW-4424MP, is designed for SMB and enterprise network application. Each Ethernet copper port complies with IEEE 802.3at standard to supply 30W power injection maximum. The 10G uplink ports relieve the insufficiency of Gigabit links to offer instantly demanding bandwidth consumption for PoE powered FHD/UHD IPcam surveillance, WiFi network access and VoIP telephony deployed in the enterprise network.

The GSW-4424MP is equipped with 24x Gigabit RJ45 ports and 4x 1G/10G SFP+ based fiber optics ports. It is featured completely L2+ switch functionality which guarantees high network availability, secured robust network access and comprehensive QoS in the network edge. Also, the GSW-4424MP can be managed by CTC in-house developed Smartview EMS, which offers a user-friendly and centralized device management platform. It makes the administrators be able to monitor and configure the switches remotely.

Features

- 24 x RJ45/PoE+ ports with 450W power budget totally
- Cable diagnostics to test UTP cable or determine broken point distance
- Text based CLI configuration download and upload
- Advanced PoE management
 - PoE PD failure auto check and reset if PD failed
 - PoE port on/off scheduling
 - PoE configuration for power planning

Specifications

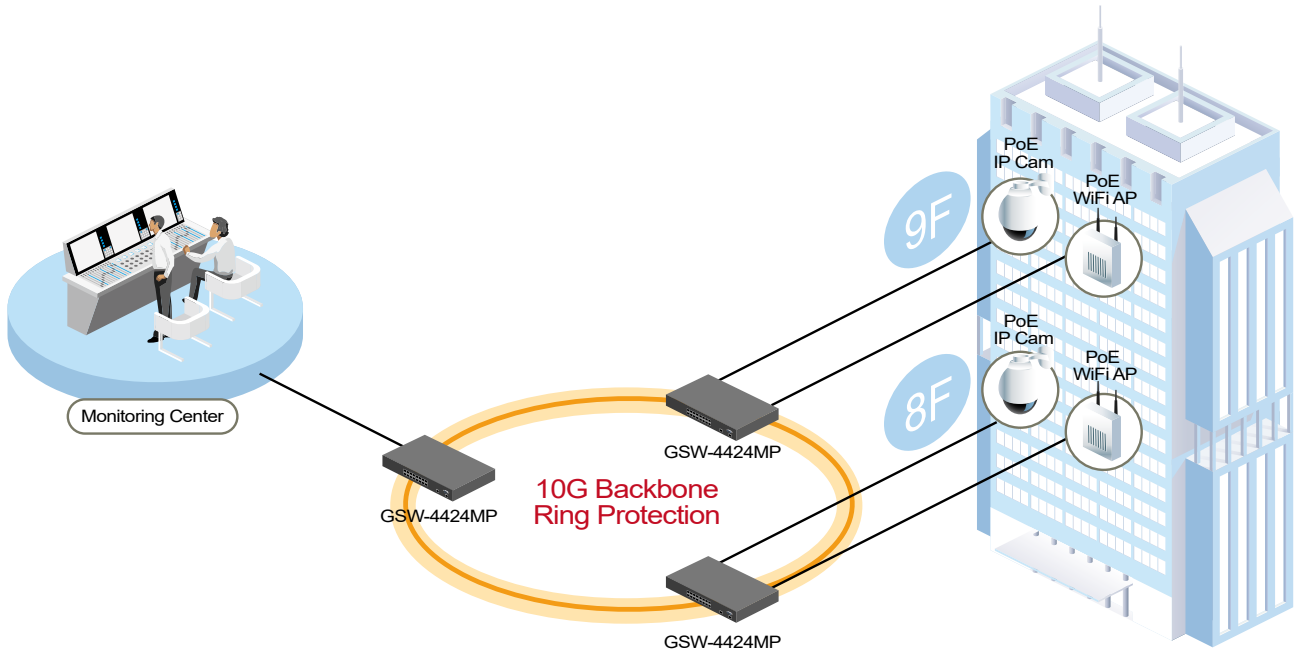
Interface	fiber port: 1G/10Gbps SFP+ uplink * 4 Copper port: 10/100/1000Base-T RJ45 * 24 Management port: 10/100/1000Base-T RJ45 * 1 Console port: RS-232 in RJ45 * 1
PoE power budget	450W
Switching Fabric capacity	128Gbps
Packet forwarding rate	14880pps @10Mbps 148800pps @100Mbps 1488000pps @1000Mbps 14880000pps @10Gbps
Packet forwarding capacity	102Mpps
Transmission method	Store and Forward Switching
Packet buffer	32M bits
MAC table size	32K
Jumbo frame size	10K Bytes
VLAN feature	IEEE 802.1Q tagged VLAN (4K VLAN groups) IEEE 802.1ad QinQ VLAN Voice VLAN; MAC based VLAN; Protocol based VLAN; IP subnet based VLAN Private VLAN for port isolation; VLAN translation GVRP (GARP VLAN registration protocol)
Link aggregation	Static trunk (SA, DA, IP, TCP/UDP port) IEEE 802.3ad LACP, 14 LACP trunk groups Max, 8 port Max. per LACP trunk group
L2 switching protection	IEEE 802.1D STP/IEEE 802.1w RSTP/IEEE 802.1s MSTP Loop Protection
QoS feature	Hard wired IEEE 802.1p 8 priority queues per port Traffic scheduling based on strict/WRR priority CoS based traffic classification on switch port, VLAN ID, DSCP, TCP/UDP port IEEE 802.1p priority tag remarking; DSCP remarking Per Port/Queue based ingress/egress rate limit in steps of 100kbps IEEE 802.3x flow control Multicast/Broadcast/Unicast storm policing with flooding control

Security	Static port security (MAC based) Per port limited MAC learning Port based/MAC base/single/multiple IEEE 802.1x access control 512 ACL rules based on L2~L4 information RADIUS/TACACS+ authentication HTTPs & SSH v2 IP/MAC binding IP source guard & ARP inspection
IP Multicasting	IGMP snooping v1/v2/v3, IGMP proxy reporting MLD snooping v1/v2 IGMP fast leave IGMP query IGMP filtering/throttling MVR (Multicast VLAN Registration)
Management	WebGUI/Telnet CLI interface SNMP v1/v2c/v3 RMON I (1,2,3,9 groups), RFC1213 MIB II, Private MIB DHCP client/snooping/relay option 82 TFTP/HTTP based firmware and configuration upgrade Port mirroring, RSPAN Event syslog server DNS client/proxy NTPv4 client UPnP IPv4/IPv6 management SFF-8472 DDMI IEEE 802.1ab LLDP Text based configuration download and upload
Advanced PoE Management	PoE PD failure auto check and reset if PD failed PoE port on/off failure PoE port enable/disable Power limit by PD classification Totally PoE power budget limitation (450W maximum) Power feeding priority
Power input	AC power input (100~240V)
Operating temperature	0~50°C
Storage temperature	-25~70°C
Humidity	5%~95% (non-condensing)
Dimension	440 x 250 x 43.5 mm (W x D x H)
Certification	CE, FCC class A

3

L2+ Managed PoE Switch GSW-4424MP

Application



Ordering Information

Model Name	Description
GSW-4424MP	24 x GbE/RJ45, PoE+ + 4 x 1G/10G SFP+ L2+ Managed PoE switch

3

L2+ Managed PoE Switch GSW-4424MP