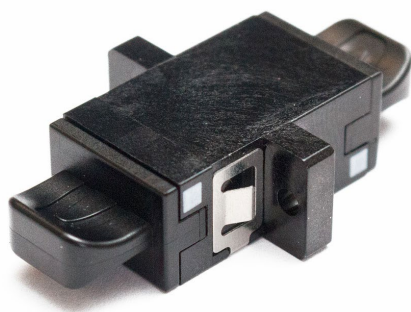


MTP adapters

Description:

OPTOKON offers durable **MTP adapters** that provide quick connection for up to 24 optical fibers. The **MTP adapters** are suitable for connection of MTP/MPO multifiber connectors. Connection integrity is provided by adapter latches which are locked into place by a spring loaded sliding mechanism on the MTP/MPO connector plug.

The **MTP adapters** are available in Standard Footprint and SC Footprint versions, according to requirement. Refer to fibers interconnection – two various positions of MTP connectors available: Key up to key down (opposed) and key up to key up (aligned, straight) available. This allows to maintain the right position of fibers in connection of two multifibers connectors.



Features:

- Small Form Factor
- Meets IEC 61754-7 and TIA604-5
- Key up to key down (opposed) or Key up to key up (aligned, straight) key orientation
- Optimal coarse alignment to minimize pin to ferrule debris generation
- High density cabling
- Supplied with two thermoplastic dust plugs

Application:

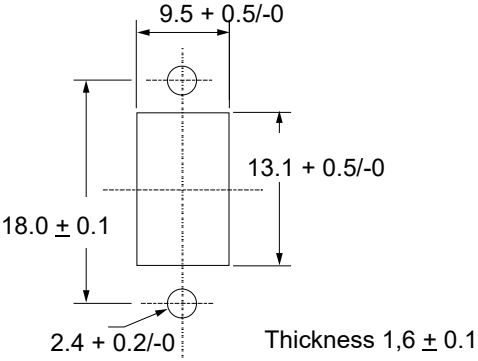
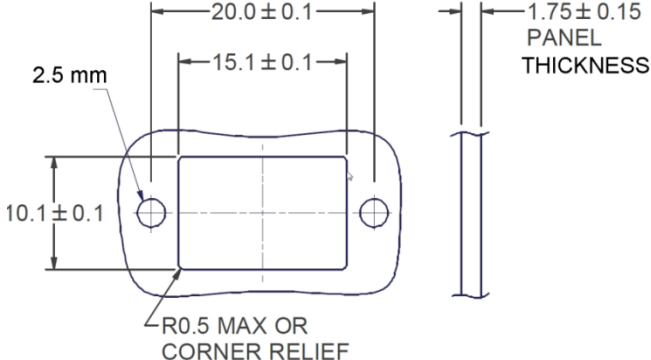
- Active device termination
- Array trunk cabling
- Parallel Optics
 - 40G and 100G IEEE 802.3
 - QSFP
 - PSM4
 - CXP
 - CFP

Ordering code:

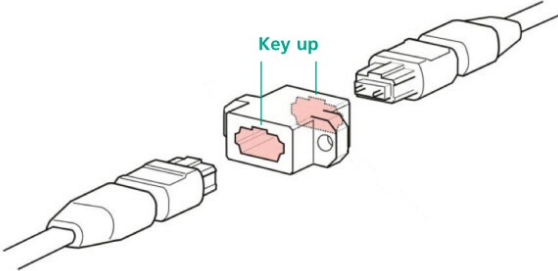
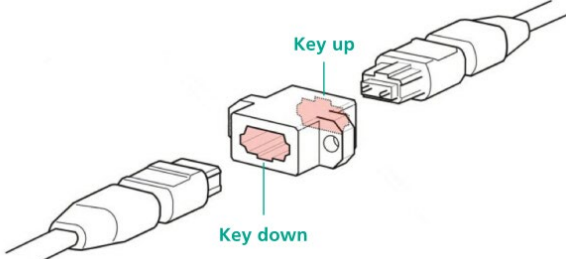
A-MTP / XX(X)	X - CC¹
<p>Footprint, Flange, Shutter</p> <p>01 SC footprint, flange, metal clip</p> <p>05 SC footprint, no flange, metal clip</p> <p>S0 Standard MTP footprint, flange</p> <p>S Shutter</p> <p>- No shutter</p>	<p>X - Key orientation</p> <p>A Aligned (key up to key up)</p> <p>O Opposed (key up to key down)</p> <p>CC - Color table</p> <p>BK Black</p> <p>GY Grey</p>

Note: 1) Color indicates key orientation, gray color indicates aligned key, each other colors indicates opposite key

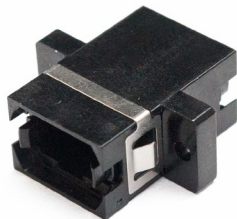
Recommended cutout:

SC footprint	Standard
 <p>9.5 + 0.5/-0 18.0 ± 0.1 13.1 + 0.5/-0 2.4 + 0.2/-0 Thickness 1,6 ± 0.1</p> <p>RECOMMENDED PANEL CUT OUT</p>	 <p>20.0 ± 0.1 15.1 ± 0.1 2.5 mm 10.1 ± 0.1 R0.5 MAX OR CORNER RELIEF 1.75 ± 0.15 PANEL THICKNESS</p>

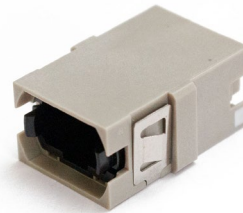
Key orientation:

Aligned (Straight)	Opposed
 <p>Key up</p>	 <p>Key up Key down</p>

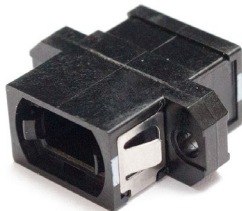
Samples:



A-MTP/01-O-BK



A-MTP/05-A-GY



A-MTP/S0-O-BK