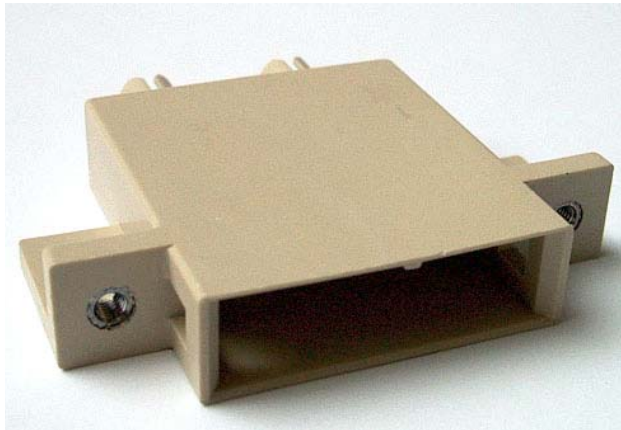


FDDI adapters

Description:

The FDDI adapters are in full compliance with the ANSI FDDI PMD specification. Integrated indexed sliding keyway accommodates all key position and eliminates need to remove and insert individual keys. It is possible to exactly specify your demands of mounting insert thread and FDDI key position.



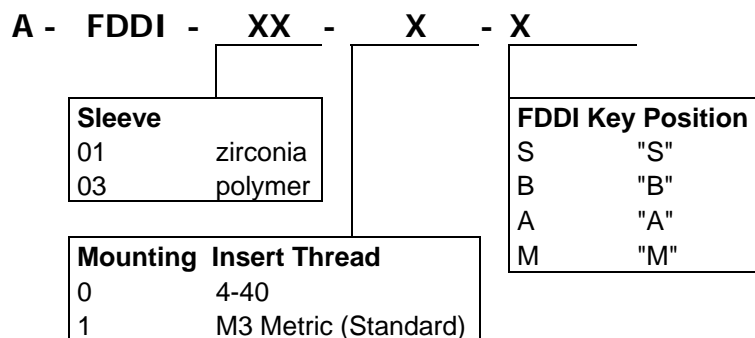
Features:

- Polarized to ensure proper mating
- Duplex breakout version
- Thermoplastic, flame retardant housing
- Adapter housing quickly and securely snaps together, no screws

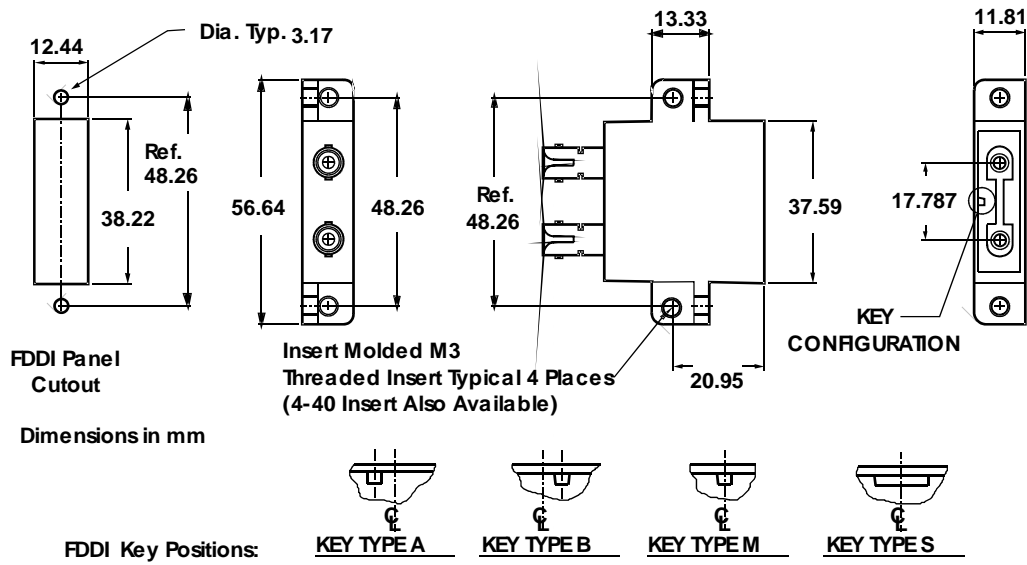
Application:

- FDDI data network

Ordering code:



Dimensions:



Sample:

A-FDDI-ST/PC-01-1-M

