

CAPM cassettes

Description :

The OPTOKON **CAPM cassette** offers a convenient and much more reliable alternative to unprotected pigtail splicing or field termination. The **CAPM cassettes** accept passive fiber optic components such as attenuators, couplers/splitters, WDM and CWDM multiplexers, filters, circulators and many other networking devices. As the fiber optic components have been installed into the **CAPM cassettes** it is possible to include them into fiber optic networks by using the standard system of Optical Distribution Frames without any need for special distribution frames.

Types:

- CAPM Not equipped module
- CAPM/P Pigtail module
- CAPM/F Fan-out module
- CAPM/S Splice module
- SFT-CAPM Coupler/Splitter module
- SFW-CAPM WDM/CWDM module

Parts Assembly:

- Main body
- Top cover
- Front adapter panel
- Rear panel
- Adapters, cable grommet, pigtails, fan-out, ...

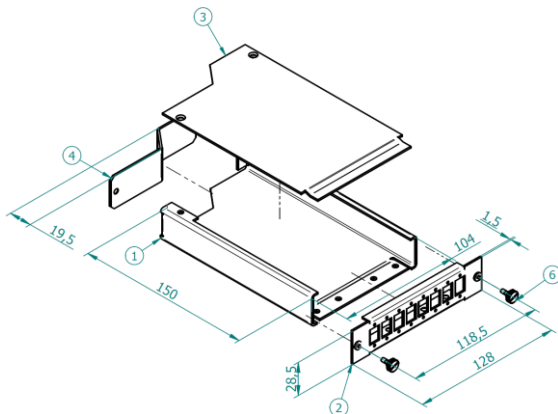
Applications :

- Preterminated cables
- Pigtail splicing
- Ribbon pigtail
- Splitter/coupler
- WDM, CWDM multiplexers

Features :

- Factory terminated and 100% tested
- Rugged and secure snap-in modular housing
- Accepts single or ribbon fibers cable
- Cable designed for easy splice preparation
- Wide range of passive fiber optic components
- Reduces installation time

Dimensions :



Parts:

- 1) Main body
- 2) Front adapter panel
- 3) Top cover
- 4) Rear entry panel
- 6) Screws CNPM

19" Installation possibilities

OFDU-CAP – 3U frame for 12x CAPM



FP-1S / FP-1E – 1U front panel for 2x / 3x CAPM



Ordering Code:

1. Not equipped module (empty CAPM cassette)

CAPM - AAA XX		X - XX	
Front Panel Adapter Type		Rear Panel	
SC-06	6 x SC adapter	Cable Entry Type	Adapter Entry Type
SC-08	8 x SC adapter	B Blank panel	M MPO (MTP)
E2-06	6 x E2000 adapter	C Cable entry panel ¹	SC SC adapter
E2-08	8 x E2000 adapter	A Adapter entry panel	E2 E2000 adapter
FC-06	6 x FC adapter		FC FC adapter
FC-08	8 x FC adapter		ST ST adapter
ST-06	6 x ST adapter		Other on request
ST-08	8 x ST adapter		
MJ-06	6 x MT-RJ adapter		
DSC-03²	3 x SC duplex		
DSC-06²	6 x SC duplex		
DLC-06	6 x LC duplex		
	Other type on request		

Note: 1) Including PG9 cable gland
(Cables Ø up to 9.0 mm)
2) Adapters without fixing by screws

CAPM components:



CAP-front panel E2-06



CAP-front panel DE2-06



CAP-front panel DSC-06



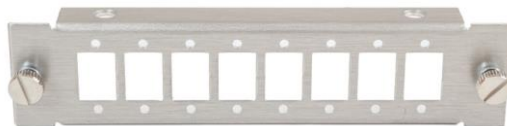
CAP-front panel DSC-03



CAP-front panel FC-06



CAP-front panel FC-08



CAP-front panel SC-08



Rear entry panel - C



Rear blank panel - B



Rear entry panel - C

2. Pigtail module

Includes pre-terminated optical cable, appropriate adapters and PG9 cable grommet (cables \varnothing up to 9.0 mm)

CAPM/P - XX XXX - XX - XXX(F)⁵ X - XX																				
<table border="1"> <tr> <td>XX - Fibers number up to 12</td> <td>XX² - Cable type TB Tight buffered UT Uni tube RB Ribbon</td> <td>XXX - Type of fiber OM1 MM 62.5/125 μm OM2 MM 50/125 μm OM3 MM 50/125 μm S2D SM G.652D S5X³ SM G.655C-D S7X³ SM G.657A-E</td> <td>XX - Length (m)</td> </tr> </table>	XX - Fibers number up to 12	XX² - Cable type TB Tight buffered UT Uni tube RB Ribbon	XXX - Type of fiber OM1 MM 62.5/125 μ m OM2 MM 50/125 μ m OM3 MM 50/125 μ m S2D SM G.652D S5X³ SM G.655C-D S7X³ SM G.657A-E	XX - Length (m)																
XX - Fibers number up to 12	XX² - Cable type TB Tight buffered UT Uni tube RB Ribbon	XXX - Type of fiber OM1 MM 62.5/125 μ m OM2 MM 50/125 μ m OM3 MM 50/125 μ m S2D SM G.652D S5X³ SM G.655C-D S7X³ SM G.657A-E	XX - Length (m)																	
<table border="1"> <tr> <td colspan="2">Front panel adapter type⁴</td> </tr> <tr> <td>XXX</td> <td>X</td> </tr> <tr> <td>ST(F) ST</td> <td>M Multimode</td> </tr> <tr> <td>SC(F) SC</td> <td>S Singlemode</td> </tr> <tr> <td>FC FC</td> <td>A APC</td> </tr> <tr> <td>E2(F) LSH (E2000)</td> <td></td> </tr> <tr> <td>MJ MT-RJ</td> <td></td> </tr> <tr> <td>DSC¹ duplex SC</td> <td></td> </tr> <tr> <td>DLC(F) duplex LC</td> <td></td> </tr> <tr> <td>MU(F) MU</td> <td></td> </tr> </table>	Front panel adapter type⁴		XXX	X	ST(F) ST	M Multimode	SC(F) SC	S Singlemode	FC FC	A APC	E2(F) LSH (E2000)		MJ MT-RJ		DSC¹ duplex SC		DLC(F) duplex LC		MU(F) MU	
Front panel adapter type⁴																				
XXX	X																			
ST(F) ST	M Multimode																			
SC(F) SC	S Singlemode																			
FC FC	A APC																			
E2(F) LSH (E2000)																				
MJ MT-RJ																				
DSC¹ duplex SC																				
DLC(F) duplex LC																				
MU(F) MU																				

Note: 1) Adapters without fixing by screws
2) Other type – on request
3) **X** – Refer to relevant fiber type, for example: S7A – G.657A
4) FC, ST, E2 – up to 8 fibers capacity
5) **F** – Fixed adaptors by screws

3. Fan-out module

Internal interconnection between MPO/MTP ribbon connector and up to 12 single connectors SC, LC, ...

CAPM/F - XX XXX - XXX(F)⁵ X - M																						
<table border="1"> <tr> <td>XX - Fibers number up to 12</td> <td>XXX - Type of fiber OM1 MM 62.5/125 μm OM2 MM 50/125 μm OM3 MM 50/125 μm S2D SM G.652D S5X³ SM G.655C-D S7X³ SM G.657A-E</td> </tr> </table>	XX - Fibers number up to 12	XXX - Type of fiber OM1 MM 62.5/125 μ m OM2 MM 50/125 μ m OM3 MM 50/125 μ m S2D SM G.652D S5X³ SM G.655C-D S7X³ SM G.657A-E																				
XX - Fibers number up to 12	XXX - Type of fiber OM1 MM 62.5/125 μ m OM2 MM 50/125 μ m OM3 MM 50/125 μ m S2D SM G.652D S5X³ SM G.655C-D S7X³ SM G.657A-E																					
<table border="1"> <tr> <td>Rear adapter MPO/MTP</td> </tr> <tr> <td>Front panel adapter type⁴</td> </tr> <tr> <td>XXX</td> <td>X</td> </tr> <tr> <td>ST(F) ST</td> <td>M Multimode</td> </tr> <tr> <td>SC(F) SC</td> <td>S Singlemode</td> </tr> <tr> <td>FC FC</td> <td>A APC</td> </tr> <tr> <td>LSH</td> <td></td> </tr> <tr> <td>E2(F) (E2000)</td> <td></td> </tr> <tr> <td>MJ MT-RJ</td> <td></td> </tr> <tr> <td>DSC¹ duplex SC</td> <td></td> </tr> <tr> <td>DLC(F) duplex LC</td> <td></td> </tr> <tr> <td>MU(F) MU</td> <td></td> </tr> </table>	Rear adapter MPO/MTP	Front panel adapter type⁴	XXX	X	ST(F) ST	M Multimode	SC(F) SC	S Singlemode	FC FC	A APC	LSH		E2(F) (E2000)		MJ MT-RJ		DSC¹ duplex SC		DLC(F) duplex LC		MU(F) MU	
Rear adapter MPO/MTP																						
Front panel adapter type⁴																						
XXX	X																					
ST(F) ST	M Multimode																					
SC(F) SC	S Singlemode																					
FC FC	A APC																					
LSH																						
E2(F) (E2000)																						
MJ MT-RJ																						
DSC¹ duplex SC																						
DLC(F) duplex LC																						
MU(F) MU																						

Note: 1) Adapters without fixing by screws
3) **X** – Refer to relevant fiber type, for example: S7A – G.657A
4) FC, ST, E2 – up to 8 fibers capacity
5) **F** – Fixed adaptors by screws



CAPM/F-12xS2D-DSC A-M

4. Splice module

Includes pigtails, adapters, PG9 cable grommet - cables Ø up to 9.0 mm, splice protections and splice bridge

CAPM/S - XX XXX - XXX(F)⁵ X

<p>XX - Fibers number up to 12</p> <p>XXX - Type of fiber</p> <p>OM1 MM 62.5/125 µm</p> <p>OM2 MM 50/125 µm</p> <p>OM3 MM 50/125 µm</p> <p>S2D SM G.652D</p> <p>S5X³ SM G.655C-D</p> <p>S7X³ SM G.657A-E</p>	<p>Front panel adapter type⁴</p> <table border="0"> <tr> <td>XXX</td> <td></td> <td>X</td> <td></td> </tr> <tr> <td>ST(F)</td> <td>ST</td> <td>M</td> <td>Multimode</td> </tr> <tr> <td>SC(F)</td> <td>SC</td> <td>S</td> <td>Singlemode</td> </tr> <tr> <td>FC</td> <td>FC</td> <td>A</td> <td>APC</td> </tr> <tr> <td>E2(F)</td> <td>LSH (E2000)</td> <td></td> <td></td> </tr> <tr> <td>MJ</td> <td>MT-RJ</td> <td></td> <td></td> </tr> <tr> <td>DSC¹</td> <td>duplex SC</td> <td></td> <td></td> </tr> <tr> <td>DLC(F)</td> <td>duplex LC</td> <td></td> <td></td> </tr> <tr> <td>MU(F)</td> <td>MU</td> <td></td> <td></td> </tr> </table>	XXX		X		ST(F)	ST	M	Multimode	SC(F)	SC	S	Singlemode	FC	FC	A	APC	E2(F)	LSH (E2000)			MJ	MT-RJ			DSC¹	duplex SC			DLC(F)	duplex LC			MU(F)	MU		
XXX		X																																			
ST(F)	ST	M	Multimode																																		
SC(F)	SC	S	Singlemode																																		
FC	FC	A	APC																																		
E2(F)	LSH (E2000)																																				
MJ	MT-RJ																																				
DSC¹	duplex SC																																				
DLC(F)	duplex LC																																				
MU(F)	MU																																				

Note: 1) Adapters without fixing by screws
 3) X – Refer to relevant fiber type, for example: S7A – G.657A
 4) FC, ST, E2 – up to 8 fibers capacity
 5) F – Fixed adaptors by screws

5. Coupler/Splitter module (including appropriate coupler/splitter and adapters)

For ordering code see Coupler/Splitter datasheet
 (CPL_06-02_EN-SFT-S35-01x02, CPL_08-02_EN-SFT-S35-01xN)

SFT-S35-01X04-25-CAPM-USC



6. WDM module (including appropriate WDM and adapters)

For ordering code see WDM datasheet
 (CPL_03-02_EN-SFW)

SFW-D35-CAPM-NE2S

