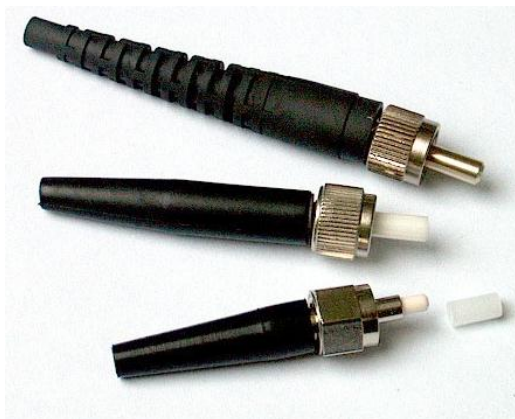


# SMA Patchcord

## Description:

SMA connectors are specially designed for multimode data communication applications. SMA connectors are fully compatible with existing SMA hardware.



## Features:

- SMA compatible
- High precision pre-polished ceramic or metal ferrule
- Precision controlled ferrule length
- Long, short and 900  $\mu\text{m}$  buffered fiber boot styles
- Metal or polymer coupling nut
- Field installable

## Application:

- Local Area Networks (LAN's)
- Data processing networks
- Active device termination
- Premise installations
- Instrumentation

## Specifications:

Insertion loss (IL)	typ. 0.50 dB
Strain relief	100 N, conditioned by cable type
Operating temperature	-20°C to +80°C, conditioned by type of cable
Durability	min. 1000 cycles
Assembly procedure	glue and polish
Connection	air-gap
Lock mechanism	coupling nut
Standards	IEC 874-2

## Material

Coupling Nut	stainless steel or polymer
Rear Body	zinc alloy, nickel plated
Ferrule Material	ceramic zirconia or metal
Crimp Sleeve	brass, tin plated
Boot and Dust Cover	thermoplastic rubber (flame retardant)

**Ordering code:**

**AAA - XX XXX - XX - (XX)<sup>1</sup> - XXX**

AAA	Connector	Connector Description
	<b>SK1</b>	SMA906
	<b>SK2M</b>	SMA905 metal ferrule
	<b>SK2C</b>	SMA905 ceramic ferrule

**XX-color**    **XXX- length [m]**

**X - type (pigtail or jumper)**

- J** jumper
- PT** pigtail tight buffered, strip in one shot 0.5-2 cm
- PS** pigtail semitight, strip in one shot 5-10 cm
- PJ** pigtail loose tube - jelly filled
- PD** pigtail loose tube - dry

**Note:**

1) not filled when color is not defined

**XX - diameter of cable, fiber    XXX - type of fiber**

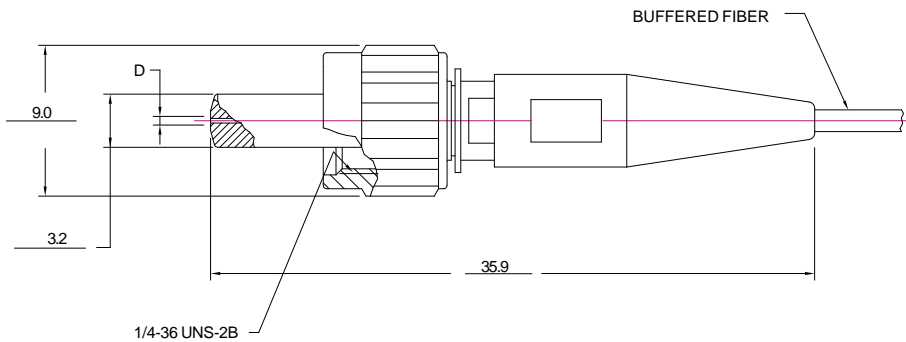
<b>09</b>	fiber Ø 0.9 mm	<b>OM1</b>	MM 62.5/125 µm
<b>28</b>	cable Ø 2.8 mm	<b>OM2</b>	MM 50/125 µm
		<b>OM3</b>	MM 50/125 µm

**Color Code:**

BK	BN	RD	OG	YE	GN	BU	VT	GY	WH	PK	TQ
Black	Brown	Red	Orange	Yellow	Green	Blue	Violet	Grey	White	Pink	Turquoise

**Dimensions:**

**SMA Connector, 900µm Boot Style**



**Samples of Connectors:**



SK2M



SK2C



SK1